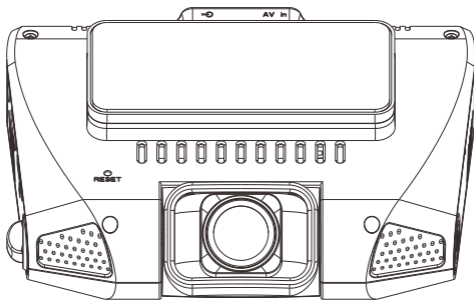




Z-EDGE



Model:S4

USER GUIDE

CONTENTS

INTRODUCTION	1
PRODUCT OVERVIEW	1
GETTING STARTED	2
INSTALLATION	3
NAVIGATION	5
OPERATION	6
VIDEO RECORDING MODE	7
PHOTO CAPTURE MODE	8
PLAYBACK MODE	8
STANDBY MODE	8
DRIVING SHORTCUTS	9
PERSONALIZED SETTINGS	9
COMMON FUNCTIONS	11
TECHNICAL SPECIFICATIONS	14

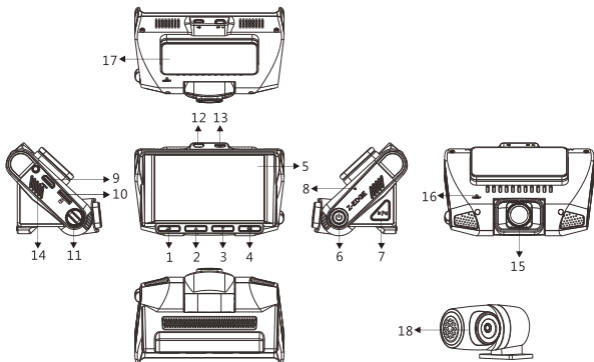
INTRODUCTION

Thank you for purchasing the S4 High Definition Car DVR / Camcorder by Z-Edge®. Featuring a large 4.0 inch display screen and dual-lenses for recording front and back. Please read this manual carefully before using this product. We hope you enjoy using this product.

PRODUCT OVERVIEW

- Record crystal clear, high-definition video simultaneously via front-view and rear-view HD cameras in 1080P resolution with 150° viewing angle. Excellent video quality for recording even in low visibility driving conditions. Also features image capture with 12-megapixel resolution.
- Convenient automatic recording and monitoring features include: automatic ignition, crash detection, parking mode for monitoring your vehicle via the highly sensitive built-in G-Sensor and seamless loop video recording.
- Smart features include: LCD power save, automatic device shutdown after the engine is turned off, and one-button emergency video recording and protection.
- Records up to 160 mins simultaneous front cam (1080P) and rear cam (1080P) via 32GB TF/MicroSD card included. Seamless loop recording feature ensures efficient use of storage.

GETTING STARTED



Components

1	Menu/ESC	10	TF/MicroSD Card Slot
2	Up	11	Lens Adjustment Knob
3	Down	12	Mini USB Port (Rear Camera Connection)
4	OK/Record	13	Micro USB Port (Battery Charging / PC Connection)
5	Display Screen	14	Loudspeaker
6	Power	15	Front-View Lens
7	Parking Mode	16	Reset Hole
8	Indicator Light	17	Mount Slot
9	HDMI Port	18	Rear-View Lens

INSTALLATION

1. Insert the 32GB TF/MicroSD Card (included) into the TF/MicroSD Card Slot (component 10) of the camera.

2. Turn the camera on without removing the adhesive backing. Whilst looking at the display screen, find a suitable location for installing your dashcam on your windshield. Please note:

a. This position should neither distract the driver nor block the driver's view while driving. We recommend locating towards the top of the windshield, behind the rear-view mirror and positioned slightly closer to the driver's side. Find a position that provides an unrestricted and full viewing angle for the camera - you can adjust the angle the front camera lens points by pushing it up and down within the camera body.

b. This position should be clean so that the adhesive mount can attach to the surface firmly. If not, please clean the surface using water if necessary and wait until dry.

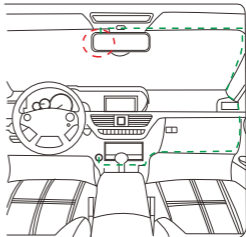
c. This position should be close to the cigarette lighter (power) in the car to ensure charging while recording.

3. Having found a suitable location on your windshield, remove the protective backing and firmly press the adhesive strip against the windshield until secure. Ensure the camera is orientated correctly, and level before applying pressure. The camera is now securely attached to the windshield.

4. For a more organized car environment, the micro USB cable can be routed as indicated by the green dashed line in the diagram. Plug the car charger into your cigarette lighter and connect the USB cable.

5. Adhesive mounts are included inside every pack. To swap or replace an adhesive mount, turn around the mount from horizontal position to vertical position to release from the slot. Slide the replacement mount inside the slot until it clicks into position.

6. Start the engine of your car. The S4 will automatically turn on and start recording when connected to a power source.



7. The device will detect when the engine is switched off, and automatically power off shortly after the last video clip duration is complete and saved.

WARNING: Some car models supply power from the cigarette lighter even after the engine is turned off. We recommend you always unplug the USB charger manually before leaving your car to avoid any unwanted car battery drainage.

Rear-View Camera

- ① **IMPORTANT:** Please note when rear-view camera is connected the following resolution is NOT supported for dual recording: '1440P30'. In this resolution only the front-view camera recording will be saved to disk. To ensure dual recording, please remember to select '1080P30 + 1080P30' or '1080P30 + 720P30' resolutions when the rear-view camera is connected.
8. Install the rear-view camera to your vehicle's rear windshield using the adhesive strip. Find a suitable location to fix the rear-view camera before removing the protective backing - we recommend firstly connecting the rear-view camera to the Mini USB port (component 12) of the front-view camera in order to find a good viewing angle and clear visibility before final placement. Remove the protective backing on the rear-view camera, and firmly press the adhesive strip against the windshield until secure. Route the Mini USB cable inside the vehicle - for advice on routing cables inside your car interior, please refer to our 'Zero Edge Technology' YouTube channel.



NAVIGATION

"Power" Button (6)

- **Manual ON/OFF:** Press and hold for 3 seconds to turn device ON/OFF.
- **Turn OFF/ON LCD Display Screen:** After the device starts up, short press the "Power" button to turn off/on the LCD display screen.

"Menu" Button (1)

- **Access Settings Menu:** In standby mode (device not recording or capturing images) pressing the "Menu" button will enter the "Settings" menu. Use the "Up" and "Down" buttons to navigate. Press "OK" button to confirm. Short press "Menu" button while in the menu to exit.
- **Switch Modes:** In standby mode (device not recording or capturing images) press the "Menu" button to enter the "Settings" menu. In "Settings" menu you can switch between (i) Video Recording / "Record", (ii) Photo "Capture," and (iii) "Video" and "Photo" playback modes.
- **Return:** Press "Menu" button to return in system menu.
- **Stop Video Playback:** In playback mode press "Menu" button to stop video playback.

"Up" Button (2)

- **Navigate to Upper/Previous Item:** Press "Up" button to navigate to upper or previous item while browsing the system menu or playback files.
- **Toggle PiP Display:** Short press "Up" button to switch between front and rear camera view options.
- **Fast Rewind:** In playback mode press "Up" button to fast rewind video being played by up to -8x.

"Down" Button (3)

- **Navigate to Lower/Next Item:** Press "Down" button to navigate to lower or next item while browsing the system menu or playback files.
- **Emergency Video Protection:** In the event of an emergency, it is important to save and protect recorded video files so that they are not erased by the "Loop Recording" feature. With "Crash Detection" feature enabled, this device automatically protects video files when a significant vibration has been detected. However you can manually protect any video clip by pressing the "Down" button during a video recording. This will protect the saved clip/file from being automatically deleted in the future. A "key" icon appears on screen to signify the file has been successfully protected.

- **Fast Forward:** In playback mode short press "Down" button to fast forward video being played by up to 8x.

"OK" Button (4)

- **Select/Confirm:** While browsing press "OK" button to select or confirm highlighted item.
- **Enable/Disable Video Recording:** In video recording mode press "OK" button to start/stop video recording.
- **Photo Capture:** In photo capture mode press "OK" button to capture a photo.
- **Video Playback:** In playback mode press "OK" button to start/pause video playback.

Indicator Lights

- **Red:** Charging

OPERATION

Powering ON/OFF

- **Automatic:** When device is connected via the USB car charger, it will automatically detect engine ignition and turn on.
- **Manual:** Press and hold the "Power" button for 3 seconds to power on/off device.



Warning: The safe operating temperature for this device is between -10 to 60°C / 14 to 140°F, and safe storage temperature is -20 to 70°C / -4 to 158°F. Do not expose device to extreme hot or cold temperatures.

Recorded Video Files

Videos are recorded and saved to the memory card as multiple video clips. Once the memory card is full, the "Loop Recording" feature automatically overwrites the earliest unprotected saved file. This prevents long duration video clips from being lost in a single overwrite. Video clip duration can be set to 1, 3 or 5 minutes inside the "Menu Setting" menu. Video clips can be played directly on the display screen, or copied/stored and played on a computer.

VIDEO RECORDING MODE

Loop Recording

Videos are recorded and saved to the memory card as multiple video clips. Once the memory card is full, the "Loop Recording" feature automatically overwrites the earliest unprotected saved file. This prevents long duration video clips from being lost in a single overwrite. Video clip duration can be set to 1, 3 or 5 minutes inside the menu:

Menu -> Loop Recording.

Crash Detection

In the event of a collision the "Crash Detection" feature, triggered by the highly sensitive built-in G-Sensor, will automatically turn video recording on and protect the saved file. The sensitivity of the G-Sensor can be set to Off, Low, Medium or High inside the menu: **Menu -> G-sensor.**

Parking Mode

When "Parking Mode" is enabled, the device continues to monitor the vehicle while it is turned off and parked. If any motion or vibration is detected by the device, it will automatically turn on and begin recording. Approximately 30 seconds after the motion or vibration has finished, the device will automatically turn off and return to monitoring mode.

In "Parking Mode" the device is powered by the internal rechargeable battery, and the LCD display screen is automatically set to power save to conserve battery power. This feature can be set to Off or On inside the menu: **Menu-> Parking Monitor.**

Emergency Video Protection

In addition to automatic video file protection, any video can be protected manually by pressing the "Down" button during a video recording. A "key" icon appears on screen to signify the file has been successfully protected .

Record Audio

With audio recording enabled the device will record audio for the current video clip via the integrated microphone. This feature can be enabled/disabled inside the menu: **Menu -> Record Audio.**

LCD Power Save

Automatically turn off the LCD display screen after 30 seconds, 3 minutes or 5 minutes. This feature is useful if the display screen proves a driving distraction for the driver. Feature can be set to Off, 30 Seconds, 3 Minutes or 5 Minutes inside the menu: **Menu -> Screen Saver.** Turn on the display screen again by pressing any button.

PHOTO CAPTURE MODE

From standby mode press the "Menu" button to enter the "Settings" menu, use the "Up" and "Down" buttons to navigate to "Capture" menu, and then press "OK" button to switch to photo capture mode. Capture a photo by pressing the "OK" button.

PLAYBACK MODE

From standby mode press the "Menu" button to enter the "Settings" menu, use the "Up" and "Down" buttons to navigate to "Video" menu or "Photo" menu, and then Press "OK" button to switch to playback mode. Browse video and image files by pressing the "Up" and "Down" buttons. Play/Pause highlighted video files by pressing "OK" button. Stop highlighted video files by pressing "Menu" button.

STANDBY MODE

This is the default mode the device enters when not recording or capturing images. In standby mode you can adjust settings inside the system menu and switch between (i) Video Recording, (ii) Photo Capture, and (iii) Playback modes. To enter "Standby Mode" while recording a video, press the "OK" button to stop the current video recording.

DRIVING SHORTCUTS

In addition to automatic video file protection, any video can be protected manually by pressing the "Down" button during a video recording. A "key" icon appears on screen to signify the file has been successfully protected .

PERSONALIZED SETTINGS

Mode	Main Menu	Sub-Menu or Prompt	Description
Time Setup	2015/01/01 00:00:01		Set the date and time.
Record			Switch to Video Recording Mode.
Capture			Switch to Photo Capture Mode.
Menu	Image Size	1440p30 1080p30+1080p30 1080p30+720p30	Set the resolution of the videos to be recorded.
	Loop Recording	1 Minutes 3 Minutes 5 Minutes	Set the duration of each video clip recorded to the memory card. Refer to "Recorded Video Files" for more details.
	Record Audio	Off On	Turn on/off audio recording during a video recording.
	WDR	Off On	Enable/Disable WDR function.
	G-Sensor	Off Low Medium High	Set the sensitivity level of the built-in G-Sensor for auto detection features.

Mode	Main Menu	Sub-Menu or Prompt	Description
Menu	Parking Monitor	Off On	Enable/Disable parking mode. Refer to "Parking Mode" for more details.
	Language	Simplified Chinese Traditional Chinese English French Spanish Portuguese German Italian Russian Japanese	Preset the language of the user interface.
	Screen Saver	Off 30 Seconds 3 Minutes 5 Minutes	LCD display screen will automatically turn off after set time.
	Default Setting	No Yes	Restore the factory default settings.
	Format	No Yes	Format the TF/MicroSD card.
	Version		Display the version number of the current firmware.
Video			Video files playback.
Photo			Photo files playback.
Delete	Delete One Delete All		Delete the selected file or delete all files.
Protect	Lock Current Lock All Unlock Current Unlock All		Set the selected file or all files to be protected/unprotected.

COMMON FUNCTIONS

Connecting to a Computer

Connect the device to a computer using the micro USB cable. If not already, power on the device. Select one of the on-screen options:

- **Mass Storage:** Contents of the memory card will appear as a regular disk drive on your computer, as if it was a USB flash drive. Browse as normal to view, play, copy and delete saved files. Compatible with Windows (XP and later) and Mac (OS X and later).
- **Charging Mode:** Solely for charging your dash camera.

File Management

Recorded video and photo files are classified and grouped into different folders:

- Photo files are stored in "CARDV\PHOTO" folder.
- Normal video files are stored in "CARDV\MOVIE" folder.
- Emergency video files are stored in "CARDV\SOS" folder.

Recorded video and photo files are saved in the following naming rules:

- Date + time + index. (e.g.: 2017_0104_231422_027A.MP4, "A" means front camera, "B" means rear camera).

Choosing a TF/MicroSD Card

The higher the video resolution, the better the image quality. However a higher video resolution also requires more storage space. This means with the same capacity TF/MicroSD card, if you choose to record a higher video resolution, you will need to save shorter video clips.

A 32GB TF/MicroSD card is included. A TF/MicroSD card with larger storage space can be used to store longer individual video clips or a longer total duration of saved files. This device supports TF/MicroSD cards with a storage space of up to 128GB .

Note:

- Use TF/MicroSD cards of class 10 and above for optimal performance. Format TF/MicroSD card the first time you use it. You can format the TF/Micro SD card in this dash cam with the option inside the menu: **Menu -> Format**. Please ensure you save any important files stored on your memory card before formatting it.
- This device supports TF/MicroSD cards with a storage space of up to 128GB.

The supported capacities of TF/MicroSD cards and their corresponding 1080P front-view camera and 1080P rear-view camera video recording times are listed in the table below:

Storage Capacity	Video Recording Time (Front-View Camera 1080P, Rear-View Camera 1080P)
128GB	640mins
64GB	320mins
32GB	160mins
For reference only	

Language Setting

1. To change languages, in standby mode press the "Menu" button to enter "Settings" menu, and then use the "Up" and "Down" buttons to navigate to "Menu". Press "OK" button to enter "Menu".
2. Use the "Up" and "Down" buttons to navigate to "Language" sub-menu. Press "OK" button to confirm.
3. Select a language by highlighting it using the "Up" and "Down" buttons, and pressing "OK" button to confirm.
4. Exit the menu by pressing the "Menu" button.

Date/Time Setting

1. To change the date or time, in standby mode press the "Menu" button to enter "Settings" menu, and then use the "Up" and "Down" buttons to navigate to "Time" menu. Press "OK" button to enter "Time" menu.
2. Use the "Up" and "Down" buttons to change the data value of current entry.
3. To save an entry and go to next entry, press the "OK" button (YYYY-MM-DD, HH:MM:SS).
4. To change a wrong entry, scroll through the entry fields by pressing the "OK" button until the incorrect entry field is highlighted. Change and save as above.
5. Save and exit the menu by pressing the "Menu" button.

Reset Device

In the event of a software crash, locate the small reset pinhole (16) on the device. Insert a straightened paper clip through the pinhole and depress the switch inside. The device will be reset.

Note: Press reset button only when the device crashes. Under normal circumstances, please do not press reset button.

TECHNICAL SPECIFICATIONS

Product Dimension	Front Camera: 4.7"x 2.9"x 2.9" (LxWxH) 118.4mm x 72.5mm x 74mm Rear Camera: 2.2"x 1.2"x 1.3" (LxWxH) 56mm x 30mm x 33.5mm
Weight	Front camera: 6.0oz / 170g
Display Screen Dimension	4.0" HD screen
Viewing Angle (front & rear)	150°degrees
Video Resolution	1920x1080P 30fps + 1920x1080P 30fps 1920x1080P 30fps + 1920x720P 30fps 2560x1440P 30fps
Video Format	MP4
Still Picture/Photo Resolution (max)	4608x2592 (12M)
Still Picture/Photo Format	JPEG
Audio Format	AAC
G-Sensor	Built-in
External Storage Card Type	TF/MicroSD
External Storage Card Capacity Support	Up to 128GB
Microphone/Loudspeaker	Built-in
USB Port	USB 2.0
External Power Supply	DC 5.5V 3.4A
Battery	600mAH internal Li-ion battery

Operating Temperature	-10 to 60°C / 14 to 140°F
Storage Temperature	-20 to 70°C / -4 to 158°F
Computer System Requirement	PC: Windows XP and above MAC: OS X and above
Language Selection	Simplified Chinese Traditional Chinese English French Spanish Portuguese German Italian Russian Japanese
Accessories	Mini USB Cable (Rear Camera Connection) 3.6M Micro USB Cable 0.8M Micro USB Cable Car Charger 3M Adhesive Mount Replacement 32GB TF/MicroSD Card Manual Warranty Card

Note:

The design and specifications of this product could be amended at any time without prior notifications. There might be some differences between the product and the description in this manual.



Z-EDGE

www.zeroedgetechnology.com
email: support@zeroedgetechnology.com

S4Z17UM(EN)-01