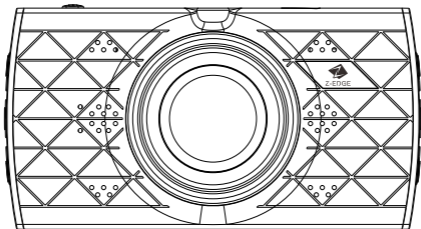




Z-EDGE



**Z3 Plus**

USER GUIDE  
BEDIENUNGSANLEITUNG  
取扱説明書

## CONTENTS / INHALTSVERZEICHNIS / 目錄

English	1
Deutsch	16
日本語	31

## **CONTENTS**

---

<b>INTRODUCTION</b> .....	2
<b>PRODUCT OVERVIEW</b> .....	2
<b>GETTING STARTED</b> .....	3
<b>INSTALLATION</b> .....	4
<b>NAVIGATION</b> .....	5
<b>OPERATION</b> .....	7
<b>VIDEO RECORDING MODE</b> .....	7
<b>PHOTO CAPTURE MODE</b> .....	8
<b>PLAYBACK MODE</b> .....	9
<b>STANDBY MODE</b> .....	9
<b>PERSONALIZED SETTINGS</b> .....	9
<b>COMMON FUNCTIONS</b> .....	12
<b>TECHNICAL SPECIFICATIONS</b> .....	14

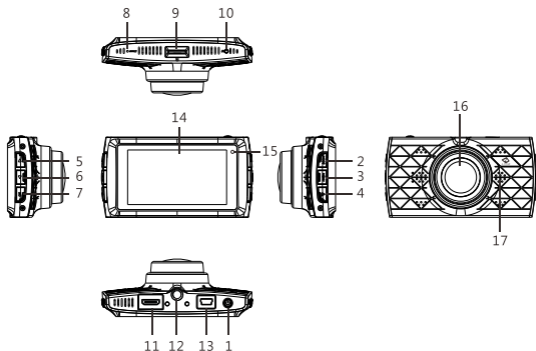
## INTRODUCTION

Thank you for purchasing the windshield/dashboard mountable Z3 Plus WQHD Car DVR/Camcorder by Z-Edge®. Please read this manual carefully before using this product. We hope you enjoy using this product.

## PRODUCT OVERVIEW

- Record stunning wide quad high definition (WQHD), high-dynamic-range (HDR) videos with a 155° field-of-view (FOV).
- Outstanding video quality - 1440P, 1296P and 1080P - for recording even in low visibility driving conditions. Also features image capture with 16-megapixel resolution.
- Featuring convenient recording and monitoring features including: automatic ignition detection, motion/crash detection recording, memory efficient seamless loop recording and parking mode for monitoring your vehicle via the highly sensitive built-in G-Sensor.
- Smart features include automatic device shutdown after the engine is turned off, energy saving automatic display screen off and one-button emergency video protection.
- Seamless loop recording ensures efficient use of storage. Supports TF/MicroSD cards up to 128GB.

## GETTING STARTED



### Components

1	Power	10	Reset Hole
2	Mode Switch	11	HDMI Port
3	Menu	12	Camera Mount
4	Video Protect	13	Mini USB Port
5	Up	14	Display Screen
6	Down	15	LED Indicator Light
7	OK	16	Lens
8	Microphone	17	Loudspeaker
9	TF/MicroSD Card Slot		

## INSTALLATION

1. Insert the 32GB TF Card into the TF/MicroSD Card slot (9) of the camera.

2. Find an appropriate position on the windshield to attach the camera. A recommended position to attach the camera is under the rear-view mirror. Please note:

a. This position should be close to the cigarette lighter (power) in the car to ensure charging whilst recording.

b. This position should be clean so that the suction cup can attach to the surface firmly. If not, please clean the surface using water if necessary and wait until dry.

c. This position should neither distract the driver nor block the driver's view whilst driving.

3. Turn the screw of the suction cup assembly into the threaded hole of the camera mount (12) until securely attached.

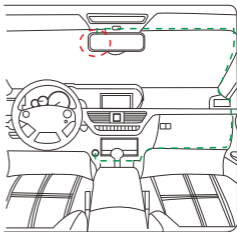
4. Make sure the locking lever of the suction cup is pointing in the direction of the camera - start position. Press and hold the suction cup against the windshield, pushing the locking lever down (in the direction of the suction cup) until an audible click is heard. The suction cup should now be securely attached to the windshield. To reposition or remove the suction cup, pull the locking lever (in the direction of the camera) to release suction, and pull away from the windshield.

5. Plug the car charger into the car cigarette lighter, and connect to the camera Mini USB port (13) via the Mini USB cable.

**NOTE:** For a more organized car environment, the Mini USB cable can be routed as indicated by the green dashed line in the diagram.

6. Start the engine of your car. The Z3 Plus will automatically turn on and start recording.

7. The device will detect when the engine is switched off, and automatically power off shortly after the last video clip duration is complete and saved.



- ① **WARNING:** Some car models supply power from the cigarette lighter even after the engine is turned off. We recommend you always unplug the USB charger manually before leaving your car to avoid any unwanted car battery drainage.

## NAVIGATION

### "Power" Button (1)

- **Manual On/Off:** Short press the "Power" button to turn device on, press and hold "Power" button for 2 seconds to turn device off.
- **Automatic On/Off:** When device is connected via the USB car charger, it will automatically detect engine ignition and turn on.

### "Mode Switch" button (2)

- **Switch Modes:** In standby mode (device not recording or capturing images), press "Mode Switch" button to switch between (i) Video Recording, (ii) Photo Capture, and (iii) Playback modes.

### "Menu" Button (3)

- **Personalize Settings - Video Recording / Photo Capture / Playback Mode:** While in standby mode (device not recording or capturing images) pressing the "Menu" button will open the system menu in the currently selected mode. For example, while in Video Recording mode, pressing the "Menu" button will show settings specific to recording video. Use the "Up" and "Down" buttons to navigate. Press "OK" button to confirm. Short press "Menu" button again to exit.

### "Video Protect" Button (4)

- In the event of an emergency, it is important to save and protect recorded video files so that they are not erased by the "Loop Recording" feature. With "Crash Detection" this device automatically protects video files when the G-Sensor is on and detects a significant vibration (see "Crash Detection" for more details). However you can manually protect any video clip by pressing the "Video Protect" button during a video recording. This will protect the saved clip/file from being automatically overwritten in the future. A warning icon and event ID appears on screen to signify the file has been successfully protected.

### **"Up" Button (5)**

- **Navigate to Upper/Previous Item:** Press "Up" to navigate to upper or previous item whilst browsing the system menu or playback files.

### **"Down" Button (6)**

- **Navigate to Lower/Next Item:** Press "Down" to navigate to lower or next item whilst browsing the system menu or playback files.
- **Fast Forward:** In playback mode short press "Down" button to fast forward video being played by up to 4x.

**Note:** In HDR resolution the exposure / EV value is automatically adjusted. In other resolutions the EV value can be adjusted by short pressing the 'Up' and 'Down' buttons.

### **"OK" Button (7)**

- **Select/Confirm:** While browsing press "OK" button to select or confirm highlighted item.
- **Start/Stop Video Recording:** In video recording mode press "OK" button to start/stop video recording.
- **Photo Capture:** In photo capture mode press "OK" button to capture a photo.
- **Video Playback:** In playback mode press "OK" button to start/stop video playback.

### **Indicator Light Explanation**

<b>Light</b>	<b>Function</b>
Red/Green	Standby mode
Flashing Green	Recording video
Red	Charging



## OPERATION

### Powering ON/OFF

- **Automatic:** When device is connected via the USB car charger, it will automatically detect engine ignition and turn on.
- **Manual:** Press and hold the "Power" button for 3 seconds to power on/off device.



**Warning:** The safe operating temperature for this device is between -10 to 60°C / 14 to 140°F, and safe storage temperature is -20 to 70°C / -4 to 158°F. Do not expose device to extreme hot or cold temperatures.

### Recorded Video Files

Videos are recorded and saved to the memory card as multiple video clips. Once the memory card is full, the "Loop Recording" feature automatically overwrites the earliest unprotected saved file. This prevents long duration video clips from being lost in a single overwrite. You can set the duration of each video clip saved to 1, 2, 3 or 5 minutes (see "Loop Recording" for more details). Video clips can be played directly on the display screen, or copied/stored and played on a computer.

## VIDEO RECORDING MODE

### Motion Detection

With "Motion Detect" enabled, video recording is automatically paused when no movement is detected by the front view camera or G-Sensor. Video recording will automatically start again when movement is detected. Feature can be enabled/disabled inside: **Menu > Motion Detect.**

### Loop Recording

Videos are recorded and saved to the memory card as multiple video clips. Once the memory card is full, the "Loop Recording" feature automatically overwrites the earliest unprotected saved file. This prevents long duration video clips from being lost in a single overwrite. Video clip duration can be set inside: **Menu > Loop Recording.**

### Crash Detection

In the event of a collision the "Crash Detection" feature, triggered by the highly sensitive

in-built G-Sensor, will automatically turn video recording on and protect the saved file. The sensitivity of the G-Sensor can be set to High, Normal, Low or Off. Features can be set inside: **Menu > G Sensor Sensitivity.**

### **Parking Mode**

When "Parking Mode" is enabled, the device continues to monitor the vehicle while it is turned off and parked. If any motion or vibration is detected by the device, it will automatically turn on and begin recording. Approximately 30 seconds after the motion or vibration has finished, the device will automatically turn off and return to monitoring mode.

In "Parking Mode" the device is powered by the internal rechargeable battery, and the LCD display screen is automatically set to power save to conserve battery power. This feature can be disabled or enabled inside the menu: **Menu > Parking Mode.**

### **Emergency Video Protection**

In addition to automatic video file protection via the "Crash Detection" feature, any video can be protected manually by short pressing the "Video Protect" button (4) during recording. A warning icon and event ID appears on screen to signify the file has been successfully protected.

### **Audio Recording**

With audio recording enabled the device will record audio for the current video clip via the integrated microphone. Feature can be set inside: **Menu > Audio Record.**

### **Screen Auto Off**

Automatically turn off the LCD display screen after 1, 3 or 5 minutes. This feature is useful if the display screen proves a distraction for the driver. To leave display screen on continuously whilst recording, select "Off." Feature can be set to Off, 1 min, 3 mins or 5 mins inside: **Menu > Screen Auto Off.** Turn on the display screen again by pressing any button.

## **PHOTO CAPTURE MODE**

Press "Mode Switch" button to get to photo capture mode. Capture a photo by pressing the "OK" button. Photo resolution can be set to 4M, 8M, 14M or 16M inside Menu. Short press "Up" and "Down" buttons to adjust the exposure / EV value.

## PLAYBACK MODE

Press "Mode Switch" button to switch to playback mode. Browse video and image files by pressing the "Up" and "Down" buttons. Play/pause highlighted video files by pressing "OK" button. Fast forward video files by pressing "Down" buttons.

## STANDBY MODE

This is the default mode the device enters when not recording or capturing images (inactive). In standby mode you can adjust settings inside the Menu. To enter "Standby Mode" whilst recording a video, press the "OK" button to stop the current video recording.

## PERSONALIZED SETTINGS

Mode	Main Menu	Sub-Menu or Prompt	Description
Video	Video Resolution	2560x1440 30P 16:9 HDR 2560x1440 30P 16:9 2304x1296 30P 16:9 1920x1080 60P 16:9 1920x1080 30P 16:9 HDR 1920x1080 30P 16:9 1280x720 60P 16:9 1280x720 30P 16:9	Highest to lowest resolution and frame rate options. Select setting which gives balance between video quality and video file size according to your TF card storage.
	Loop Recording	1 min 2 min 3 min 5 min	Set the duration of each video clip file. Read Recorded Video Files for more details.
	Date Stamp	On Off	Enable/Disable time stamp on recorded videos and photos.
	Audio Record	On Off	Enable/Disable the audio recording.

<b>Mode</b>	<b>Main Menu</b>	<b>Sub-Menu or Prompt</b>	<b>Description</b>
Video	Screen Auto Off	Off 1 min 3 min 5 min	LCD display screen will automatically turn off after set time.
	Motion Detection	On Off	Enable/Disable motion detection. Refer to "Motion Detection" for more details.
	Parking Mode	On Off	Enable/Disable parking mode. Refer to "Parking Mode" for more details.
	G Sensor Sensitivity	Off Low Normal High	Set up the G sensor sensitivity.
	Volume	0 1 2 3 4 5 6 7	Set up the volume of the video in the playback mode.
	Language	English Simplified Chinese Traditional Chinese Russian Japanese	Preset the language of the user interface.
	Anti-Flicker Settings	60Hz 50Hz	Set the display frequency of the video recording: 50Hz (PAL) and 60Hz (NTSC). A higher frequency reduces flickering.

Mode	Main Menu	Sub-Menu or Prompt	Description
Video	Exposure	+ 2.0 + 1.7 + 1.3 + 1.0 + 0.7 + 0.3 0.0 - 0.3 - 0.7 - 1.0 - 1.3 - 1.7 - 2.0	Set the exposure levels of photos captured.
	Date & Time	YY/MM/DD/HH/MM	Set Date and Time.
	Format Memory Card	Yes No	Format the TF/Micro SD card.
	Restore Default Settings	Yes No	Restore the factory default settings.
	Version		Version information.
Image		4M (2688x1512 16:9) 8M (3264x2448 4:3) 14M (4384x3288 4:3) 16M (4608x3456 4:3)	Set up the image quality.
Playback		Delete current Delete all	Delete files.

## COMMON FUNCTIONS

### **Connecting to a Computer**

Connect device to a computer using the mini USB cable. Power on the device to display "↔".

- USB Connecting: In this mode the contents of the memory card will appear as a regular disk drive on your computer, as if it was a USB flash drive. Browse as normal to view, play, copy and delete saved files. Compatible with Windows (XP and later) and MAC (OS X and later).

### **File Management**

Protected and unprotected videos are saved in different folders:

- EVENT: Protected video files.
- DCIM: Unprotected video and photo files.

Recorded video and photo files are saved in the following date time format:

- Everyday file: YY-MM-DD-000  
Video: HH-MM-SS-AA  
Photo: HH-MM-SS-OO

### **Choosing a TF/MicroSD Card**

The higher the video resolution, the better the image quality. However a higher video resolution also requires more storage space. This means with the same capacity TF/ MicroSD card, if you choose to record a higher video resolution, you will need to save shorter video clips.

A TF/MicroSD card with larger storage space can be used to store longer individual video clips or a longer total duration of saved files. This device supports TF/MicroSD cards with a storage space of up to 128GB.

**Note:**

- Use TF/MicroSD cards of class 10 and above for optimal performance.
- To format a TF/MicroSD card, simply enter it into the Z3 Plus card slot and navigate inside the menu: **Menu > Format Memory Card**. Please ensure you save any important files stored on your memory card before formatting it.
- Please note both "exFat" and "FAT32" formatted cards are supported by this dash camera.
- We recommend formatting your TF/MicroSD card before using for the first time.

The supported capacities of TF/MicroSD cards and their corresponding 1440P video recording times are listed in the table below:

Storage Capacity	Video Recording Time (1440P)
128GB	600min
64GB	400min
32GB	200min
16GB	100min
8GB	50min
For reference only	

**Language Setting**

1. To change languages, in standby mode press the "Menu" button to enter "Video".
2. Use the "Up" and "Down" buttons to navigate to "Language" and press "OK".
3. Select a language by highlighting it using the "Up" and "Down" buttons to navigate, pressing the "OK" button to confirm.
4. Exit the menu by pressing the "Menu" button.

**Date & Time Settings**

1. To change the date or time press the "Menu" button.

2. Navigate to "Date & Time" and press "OK".
3. Use the "Up" and "Down" buttons to change a data entry, press "OK" button to confirm the current data entry and move on to the next: YYYY/MM/DD HH:MM.
4. To save and exit press the "OK" button to confirm all remaining data entries until returned to Main Menu (pressing "Menu" button whilst in Date & Time will only exit without saving).

### **Reset Device**

In the event of a software crash, locate the small reset pinhole (10) on the device. Insert a straightened paper clip through the pinhole and depress the switch inside. The device will be reset.

**NOTE:** Press reset button only when the device crashes. Under normal circumstances, please do not use the reset button.

## TECHNICAL SPECIFICATIONS

Product Dimension	3.84inch x 2.0inch x 1.48inch 97.5mmx52mmx37.5mm (LxWxH)
Weight	About 0.17oz/75g
Display Screen	3.0" HD screen (16:9)
Lens	155-degree
Video Resolution	2560x1440 30P 16:9 HDR 2560x1440 30P 16:9 2304x1296 30P 16:9 1920x1080 60P 16:9 1920x1080 30P 16:9 HDR 1920x1080 30P 16:9 1280x720 60P 16:9 1280x720 30P 16:9
Video Format	MOV



Still Picture/Photo Resolution	4M (2688x1512 16:9) 8M (3264x2448 4:3) 14M (4384x3288 4:3) 16M (4608x3456 4:3)
Still Picture/Photo Format	JPEG
G-Sensor	Built-in
External Storage Card Type	TF/Micro SD
External Storage Support	Up to 128GB
Microphone/Loudspeaker	Built-in
Light Frequency	50Hz/60Hz
USB Port	USB2.0
External Power Supply	DC5V 2.4A
Battery	180mAH internal Li-ion battery
Operating Temperature	-10 to 60°C / 14 to 140°F
Storage Temperature	-20 to 70°C / -4 to 158°F
Computer System Requirement	PC: Windows XP and above MAC: OS X And above
Language Selection	English, Simplified Chinese, Traditional Chinese, Russian, Japanese

**Note:**

The design and specifications of this product could be amended at any time without prior notifications. There might be some differences between the product and the description in this manual.

## **INHALTSVERZEICHNIS**

---

<b>EINLEITUNG.....</b>	<b>17</b>
<b>PRODUKTBESCHREIBUNG.....</b>	<b>17</b>
<b>PRODUKTÜBERSICHT.....</b>	<b>18</b>
<b>INSTALLATION.....</b>	<b>19</b>
<b>MENÜSTRUKTUR NAVIGATION.....</b>	<b>20</b>
<b>OPERATION.....</b>	<b>22</b>
<b>VIDEOAUFZEICHNUNG MODUS.....</b>	<b>22</b>
<b>FOTOAUFNAHME MODUS.....</b>	<b>24</b>
<b>WIEDERGABE MODUS.....</b>	<b>24</b>
<b>STANDBY MODUS.....</b>	<b>24</b>
<b>PERSONALISIERTE EINSTELLUNGEN.....</b>	<b>25</b>
<b>GEMEINSAME FUNKTIONEN.....</b>	<b>27</b>
<b>TECHNISCHE DATEN.....</b>	<b>29</b>

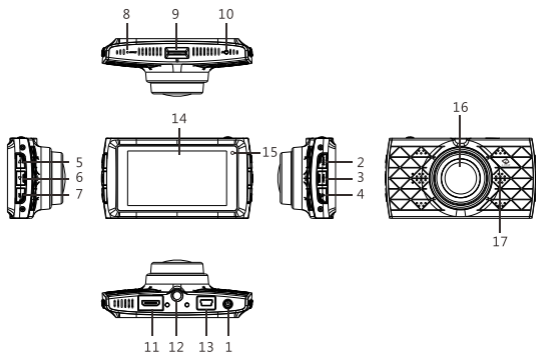
## EINLEITUNG

Vielen Dank für den Einkauf der Z-Edge Z3 Plus WQHD Autokamera. Bitte lesen Sie diese Bedienungsanleitung aufmerksam durch und bewahren Sie diese zum nachschlagen in der Zukunft auf.

## PRODUKTBESCHREIBUNG

- Aufnehmen von breite Quad-High-Definition (WQHD), High-Dynamic-Range- (HDR) Videos mit einem 155° Blickwinkel (FOV).
- Hervorragende Videoqualität - 1440P, 1296P und 1080P - zur Aufnahme auch bei geringen Sichtverhältnissen. Auch verfügt über Bildaufnahme mit 16-Megapixel Auflösung.
- Praktische automatische Aufzeichnungs- und Überwachungsfunktionen umfassen: automatische Zündung-, Bewegung- und Notfall-Erkennung und Aufzeichnung, Parkmodus zur Überwachung Ihres Fahrzeugs über den hochempfindlichen eingebauten G-Sensor und die nahtlose Loop-Videoaufnahme.
- Intelligente Eigenschaften: Gerät automatisch aus, nachdem der Motor ausgeschaltet ist; Bildschirm auto Abschaltung und Ein-Knopf für Notfall Video Aufzeichnung und Schutz.
- Die nahtlose Loop-Aufnahme ermöglicht eine effiziente Speicherung. Unterstützt TF/MicroSD Karten bis zu 128GB.

## PRODUKTÜBERSICHT

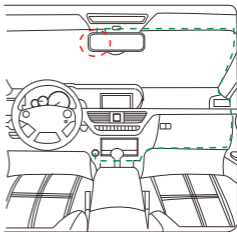


### **Funktionstasten**

1	Netzschalter	10	RESET Taste
2	Modus Taste	11	HDMI Anschluss
3	Menü Taste	12	Gewindebohrung für Halterung
4	Video-Schutz Taste	13	Mini-USB Anschluss
5	Aufwärtstaste	14	Bildschirm
6	Abwärtstaste	15	LED Anzeige
7	OK Taste	16	Objektiv
8	Mikrofon	17	Lautsprecher
9	TF/MicroSD Karte Einschub		

## INSTALLATION

1. Setzen Sie eine TF/Micro SD Speicherkarte (nicht im Lieferumfang erhalten) in den dafür vorgesehenen Einschub(9) der Autokamera ein.
2. Wählen Sie eine passende Position auf der Windschutzscheibe, um die Kamera zu befestigen. Eine empfohlene Position zur Befestigung der Kamera befindet sich unter dem Rückspiegel. Bitte beachten Sie:
  - a. Diese Position sollte in der Nähe der Zigarettenanzünder (Power) im Auto sein, um das Aufladen während der Aufnahme zu gewährleisten.
  - b. Diese Position sollte sauber sein, damit der Saugnapf an der Oberfläche fest befestigen kann. Wenn nicht, reinigen Sie bitte die Oberfläche mit Wasser und warten bis trocken.
  - c. Diese Position sollte weder den Fahrer ablenken noch die Sicht des Fahrers blockiert während der Fahrt.
3. Drehen Sie die Schraube des Saugnapfes in der Gewindebohrung(12), bis sie fest befestigt ist.
4. Vergewissern Sie sich, dass der Verriegelungshebel des Saugnapfes in Richtung der Kamera weist - Startposition. Pressen und halten Sie den Saugnapf gegen die Windschutzscheibe, drücken Sie den Verriegelungshebel nach unten (in der Richtung des Saugnapfs), bis ein hörbares Klicken gehört hat. Der Saugnapf sollte nun sicher an der Windschutzscheibe befestigt werden. Um den Saugnapf neu zu positionieren oder zu entfernen, ziehen Sie den Verriegelungshebel(in der Richtung der Kamera), um das Ansaugen zu lösen, und entfernen von der Windschutzscheibe.
5. Stecken Sie das Auto-Ladegerät in das Auto Zigarettenanzünder und verbinden Sie mit dem Mini-USB Anschluss (13) der Kamera über das Mini-USB Kabel.



**Hinweis:** Für eine organisierte Auto-Umwelt kann das Mini-USB Kabel verlegt werden, wie durch die grüne gestrichelte Linie im Diagramm angezeigt.

6. Starten Sie den Motor Ihres Autos. Die Z1 Plus Auto-Kamera schaltet sich automatisch ein und startet mit der Aufzeichnung.
7. Das Gerät erkennt, wenn der Motor ausgeschaltet ist und es schaltet automatisch aus, nachdem die aktuelle Aufzeichnung vollständig und gespeichert ist.

**Warnung:** Einige Automodelle liefern auch nach dem Ausschalten des Motors weiterhin Strom aus dem Zigarettenanzünder. Wir empfehlen, dass Sie das KFZ-Stromkabel aus dem Zigarettenanzünder ziehen, bevor Sie Ihr Auto verlassen, um einen unnötigen Stromverbrauch zu vermeiden.

## MENÜSTRUKTUR NAVIGATION

### Netzschalter (1)

- **Ein/aus schalten:** Drücken und halten Sie den Netzschalter 2 Sekunden, um die Autokamera ein-/auszuschalten.
- **Automatisches Ein- / Ausschalten:** Wenn das Gerät über das Auto-Ladegerät angeschlossen ist, erkennt es automatisch die Motorzündung und schaltet sich ein.

### Modus Taste(2)

- **Modi Umschalten:** Im Standby-Modus (Gerät nicht Video aufnehmen oder Foto aufnehmen), drücken Sie die Modus Taste, um zwischen (i) Video Aufzeichnung, (ii) Foto Aufnahme und (iii)Wiedergabe zu wechseln.

### Menü Taste (3)

- **Personalisierte Einstellungen – Videoaufzeichnung-/Fotoaufnahme-/ Wiedergabe-Modus:** Im Standby-Modus (Gerät nicht Videoaufzeichnung oder Fotoaufnahme), drücken Sie die Menü Taste, um die Einstellungen zu zugreifen. Zum Beispiel, während im Videoaufnahme Modus, durch Drücken der Menü Taste wird das Einstellungsmenü des Videomodus angezeigt. Verwenden Sie die Aufwärts-/Abwärts-Taste um die Einstellungen auszuwählen. Drücken Sie die OK Taste zur Bestätigung. Drücken Sie die Menü Taste noch mal, um zurückzukehren.

### Video-Schutz Taste(4)

- Drücken Sie während der Videoaufzeichnung auf die Video-Schutz Taste, um den Notfall-Aufnahmemodus manuell zu aktivieren. Während einer Videoaufzeichnung drücken Sie die Video-Schutz Taste, können Sie den aktuellen Videoclip manuell

schützen, um den Videoclip nicht gelöscht von Loop Aufnahme zu werden. Nach der Aktivierung wird ein Warnsymbol und eine Ereignis-ID auf dem Bildschirm angezeigt, um zu signalisieren, dass die Datei erfolgreich geschützt wurde.

### **Aufwärtstaste(5)**

- **Zu der oberen/vorheriger Option navigieren:** Drücken Sie die Aufwärtstaste, um obere/ vorherige Option zu navigieren, während das Systemmenü oder die Wiedergabe Dateien durchsuchen.

### **Abwärtstaste(6)**

- **Zu der untere/nächste Option navigieren:** Drücken Sie die Abwärtstaste, um untere/ nächste Option zu navigieren, während das Systemmenü oder die Wiedergabe Dateien durchsuchen.
- **Schneller Vorlauf:** Drücken Sie die Aufwärtstaste im Wiedergabemodus, um das Video um bis zu 4x abzuspielen.

**Hinweis:** Bei der HDR-Auflösung wird der Belichtungskorrektur/EV-Wert automatisch angepasst. Bei anderen Auflösungen kann der EV-Wert durch kurzes Drücken der Aufwärtstaste und Abwärtstaste eingestellt werden.

### **OK Taste(7)**

- **Auswählen/bestätigen:** Drücken Sie die OK Taste, um die Option auszuwählen oder zu bestätigen.
- **Videoaufzeichnung Ein/Aus:** Drücken Sie die OK Taste im Videoaufnahme Modus, um die Videoaufnahme zu starten / stoppen.
- **Foto Aufnahme:** Drücken Sie die OK Taste im Fotoaufnahme Modus, um Foto zu aufnehmen.
- **Video Wiedergabe:** Drücken Sie die OK Taste im Wiedergabemodus zum Starten/ Stoppen der Videowiedergabe.

### **LED Anzeigen:**

LED	Funktion
Rot/Grün	Standby Modus
Blinkendes Grün	Videoaufzeichnung
Rot	Aufladen

## OPERATION

### Ein-/ausschalten

- **Automatisch:** Wenn das Gerät über das Auto-Ladegerät angeschlossen ist, erkennt es automatisch die Motorzündung und schaltet sich ein.
- **Manuell:** Drücken und halten Sie den Netzschalter 3 Sekunden, um das Gerät ein-/ auszuschalten.



**Warnung:** Die sichere Arbeitstemperatur für dieses Gerät liegt zwischen -10 bis 60°C / 14 bis 140°F und die sichere Lagertemperatur beträgt -20 bis 70°C / -4 bis 158°F. Setzen Sie dieses Gerät nicht extremen heißen oder kalten Temperaturen aus.

### Aufgenommene Videodateien

Die Videos werden aufgezeichnet und auf der Speicherkarte als mehrere Videoclips gespeichert. Bei Aufzeichnung in Loop Aufnahme werden die ältesten Dateien durch die neuesten Aufnahmen ersetzt, sobald die Speicherkapazität der Speicherkarte nicht mehr ausreicht. Es verhindert, dass die Videoclips in einem einzigen Überschreiben verloren werden. Im Menü Einstellungen "Loop Aufnahme" können Sie die Aufnahmedauer für 1, 2, 3 oder 5 Minuten vornehmen. Die Videos können direkt auf dem Display wiedergegeben werden, oder auf einem Computer kopiert, gespeichert und abgespielt werden.

## VIDEOAUFZEICHNUNG MODUS

### Bewegungserkennung

Veranlasst das Gerät aufzunehmen, wenn eine Bewegung durch die Frontkamera oder den G-Sensor detektiert wurde. Die Videoaufnahme startet automatisch wieder, wenn die Bewegung erkannt wird. Diese Funktion kann deaktiviert oder aktiviert mit den Aus/An Optionen im Menü werden: **Menü -> Bewegungserkennung.**

### Loop Aufnahme

Die Videos werden aufgezeichnet und auf der Speicherkarte als mehrere Videoclips gespeichert. Bei Aufzeichnung in Loop Aufnahme werden die ältesten Dateien durch die neuesten Aufnahmen ersetzt, sobald die Speicherkapazität der Speicherkarte nicht mehr ausreicht. Es verhindert, dass die Videoclips in einem einzigen Überschreiben verloren



werden. Im Menü Einstellungen "Loop Aufnahme" können Sie die Aufnahmedauer vornehmen: **Menü -> Loop Aufnahme**.

### **Notfall-Erkennung**

Im Falle eines Aufprall wird die "Notfall-Erkennung" Funktion, die durch den hochempfindlichen eingebauten G-Sensor ausgelöst wird, schaltet die Videoaufnahme automatisch ein und schützt die gespeicherte Datei. Die Empfindlichkeit des G-Sensors kann im Menü auf Hoch, Normal, Niedrig oder Aus eingestellt werden: **Menü -> G-Sensor Empfindlichkeit**.

### **Parkmodus**

Wenn die Parküberwachung Funktion aktiviert ist, überwacht das Gerät das Fahrzeug weiter, während es ausgeschaltet und geparkt ist. Wenn irgendwelche Bewegungen oder Vibrationen vom Gerät erkannt werden, schaltet sich das Gerät automatisch ein und beginnt mit der Aufnahme. Etwa 30 Sekunden nach Beendigung der Bewegung oder Vibration schaltet sich das Gerät automatisch aus und kehrt zum Parkmodus zurück.

Im "Parkmodus" wird das Gerät von der internem wiederaufladbaren Batterie versorgt und der LCD-Bildschirm wird automatisch auf Energiespar eingestellt, um die Batterieleistung zu sparen. Diese Funktion kann im Menü auf Aus oder An eingestellt werden: **Menü-> Parkmodus**.

### **Notfall-Video Schutz**

Zusätzlich zum automatischen Videodatei-Schutz kann jedes Video manuell durch Drücken der Video-Schutz Taste(4) während einer Videoaufnahme geschützt werden. Ein Warnsymbol erscheint auf dem Bildschirm, um zu signalisieren, dass die Datei erfolgreich geschützt wurde.

### **Audioaufnahme**

Wenn die Audioaufnahme Funktion aktiviert ist, wird das Gerät der Sound über das integriertes Mikrofon für den aktuellen Videoclip aufnehmen. Diese Funktion kann im Menü eingestellt werden: **Menü-> Audio Aufnahme**.

### **Bildschirm Automatisch Ausschalten**

Der LCD-Bildschirm wird automatisch nach 1, 3 oder 5 Minuten ausschalten. Diese Funktion ist sinnvoll, wenn der Bildschirm für den Fahrer eine Fahrerablenkung wird. Um den Bildschirm während der Aufnahme kontinuierlich zu bleiben, wählen Sie "Aus". Die

Funktion kann auf Aus, 1 Minute, 3 Minuten oder 5 Minuten im Menü eingestellt werden: **Menü -> LCD Auto Abschaltung**. Schalten Sie den Bildschirm wieder an durch Drücken einer beliebigen Taste.

## FOTOAUFNAHME MODUS

Drücken Sie die Modus Taste im Standby-Modus, um in den Fotoaufnahme Modus zu wechseln. Drücken Sie die OK Taste, um Foto zu aufnehmen. Die Foto Auflösung kann auf 4M, 8M, 14M oder 16M im Menü eingestellt werden. Drücken Sie kurz die Aufwärtstaste und Abwärtstaste, um die Belichtungskorrektur/EV-Wert einzustellen.

## WIEDERGABE MODUS

Drücken Sie die Modus Taste, um in den Wiedergabe Modus zu wechseln. Durchsuchen Sie die Video- und Bilddateien durch Drücken der Aufwärtstaste und Abwärtstaste. Drücken Sie die OK Taste, um die Videodateien auf Wiedergabe / Pause zu bedienen. Drücken Sie die Abwärtstaste, um die Videodateien schnell vorlaufen zu lassen.

## STANDBY MODUS

Das ist ein Standardmodus, in dem das Gerät eintritt, wenn keine Aufnahmen oder Aufnahmen aufgenommen werden. Im Standby-Modus können Sie die Einstellungen im Menü einstellen. Um bei der Aufnahme eines Videos in den Standby Modus zu wechseln, drücken Sie die OK Taste, um die aktuelle Videoaufnahme zu stoppen.

## PERSONALISIERTE EINSTELLUNGEN

Modus	Hauptmenü	Untermenü oder Eingabeaufforderung	Beschreibung
Video	Video Auflösung	2560x1440 30P, 16:9 HDR 2560x1440 30P, 16:9 2304x1296 30P, 16:9 1920x1080 60P, 16:9 1920x1080 30P, 16:9 HDR 1920x1080 30P, 16:9 1280x720 60P, 16:9 1280x720 30P, 16:9	Stellen Sie die Auflösung der Videos auf, die aufgezeichnet werden sollen.
	Loop Aufnahme	1 Min. 2 Min. 3 Min. 5 Min.	Stellen Sie die Dauer Zeit der auf der Speicherkarte aufgezeichneten Videoclips auf.
	Datumsstempel	An Aus	Den Datumsstempel aktivieren / deaktivieren
	Audio Aufnahme	An Aus	Die Audioaufnahme aktivieren / deaktivieren
	LCD Auto Abschaltung	Aus 1 Min. 3 Min. 5 Min.	LCD-Display wird automatisch nach der eingestellten Zeit ausgeschaltet.
	Bewegungs-erkennung	An Aus	Die Bewegungs-erkennung aktivieren / deaktivieren
	Parkmodus	An Aus	Parküberwachung aktivieren / deaktivieren
	G-Sensor Empfindlichkeit	Aus Niedrig Normal Hoch	Stellen Sie die G-Sensor Empfindlichkeit
	Lautstärke	0 1 2 3 4 5 6 7	Stellen Sie die Lautstärke des Videos im Wiedergabemodus ein.

<b>Modus</b>	<b>Hauptmenü</b>	<b>Untermenü oder Eingabeaufforderung</b>	<b>Beschreibung</b>
Video	Sprache	Englisch Vereinfachtes Chinesisch Traditionelles Chinesisch Russisch Japanisch Deutsch	Voreinstellung der Sprache der Benutzeroberfläche
	Frequenz	60Hz 50Hz	Stellen Sie die Anzeige Frequenz der Videoaufnahme ein: 50Hz (PAL) und 60Hz (NTSC). Eine höhere Frequenz reduziert das Flackern.
	Belichtung	+ 2.0 + 1.7 + 1.3 + 1.0 + 0.7 + 0.3 0.0 - 0.3 - 0.7 - 1.0 - 1.3 - 1.7 - 2.0	Der Belichtungswert einstellen.
	Datum & Uhrzeit	JJ/MM/TT/HH/MM	Datum und Uhrzeit einstellen
	Speicherkarte formatieren	Ja Nein	TF/MicroSD Karte formatieren
	Einrichtung zurücksetzen	Ja Nein	Stellen Sie die werkseitigen Standardeinstellungen wieder her.
	Version		Die Versionsnummer der aktuellen Firmware anzeigen.
	Foto Auflösung		4M (2688x1512 16:9) 8M (3264x2448 4:3) 14M (4384x3288 4:3) 16M (4608x3456 4:3)

Modus	Hauptmenü	Untermenü oder Eingabeaufforderung	Beschreibung
Wiedergabe		Die aktuelle löschen Alle löschen	Datei löschen.

## GEMEINSAME FUNKTIONEN

### Mit einem Computer verbinden

Verbinden Sie das Gerät mit einem Mini-USB-Kabel mit einem Computer. Schalten Sie das Gerät ein "  ".

USB Anschluss: Der Inhalt der Speicherkarte wird als normales Laufwerk auf Ihrem Computer angezeigt, als wäre es ein USB-Flash-Laufwerk. Durchsuchen Sie normal, um gespeicherte Dateien anzuzeigen, abzuspielen, zu kopieren und zu löschen. Kompatibel mit Windows (XP und höher) und MAC (OS X und höher).

### Dateiverwaltung

Geschützte und ungeschützte Videos werden in verschiedene Ordner eingeteilt und gruppiert:

- EVENT: Geschützte Videodateien.
- DCIM: Ungeschützte Video- und Fotodateien.

Aufgenommene Video- und Fotodateien werden im folgenden Datums- und Uhrzeitformat gespeichert:

- Tägliche Datei: YY-MM-DD-000  
Video: HH-MM-SS-AA  
Foto: HH-MM-SS-OO

### Eine TF/MicroSD Karte auswählen

Je höher die Videoauflösung, desto besser die Bildqualität. Allerdings höher Video Auflösung erfordert auch mehr Speicherplatz. Das bedeutet mit derselben Kapazität TF/MicroSD Karte, wenn Sie eine höhere Videoauflösung aufnehmen möchten, müssen Sie kürzere Videoclips speichern.

Eine TF/MicroSD Karte mit größerem Speicherplatz kann verwendet werden, um längere einzelne Videoclips oder eine längere Gesamtdauer der gespeicherten Dateien zu

speichern. Dieses Gerät unterstützt TF/MicroSD Karten mit einem Speicherplatz von bis zu 128GB.

### **Hinweis:**

- Verwenden Sie TF/MicroSD Karten der Klasse 10 und höher für optimale Leistung.
- Um eine TF/MicroSD-Karte zu formatieren, legen Sie sie einfach in dem Karte Einschub und navigieren Sie im Menü: **Menü > Speicherkarte formatieren**. Bitte stellen Sie sicher, dass Sie die wichtige Dateien auf Ihrer Speicherkarte gespeichert haben, bevor Sie sie formatieren.
- Bitte beachten Sie, dass beide "exFat" und "FAT32" formatierte Karten von dieser Autokamera unterstützt werden.
- Wir empfehlen Ihnen, die TF/MicroSD Karte vor dem ersten Gebrauch zu formatieren.

Die unterstützten Kapazitäten der TF/MicroSD-Karten und ihre entsprechenden Videoaufzeichnungszeiten für 1440P sind in der folgenden Tabelle aufgelistet:

Speicherkapazität	Video-Aufnahmezeit (1440P)
128GB	600 min
64GB	400 min
32GB	200 min
16GB	100 min
8GB	50 min
Nur als Referenz	

### **Spracheinstellungen**

1. Um die Sprache zu ändern, drücken Sie die Menü Taste im Standby Modus, um das Menü aufzurufen.
2. Verwenden Sie die Aufwärts- und Abwärts-Tasten, um zum Untermenü "Sprache" zu navigieren und drücken Sie die OK Taste.
3. Wählen Sie eine Sprache mit den Aufwärts- und Abwärts-Tasten und drücken Sie die OK Taste zur Bestätigung.
4. Verlassen Sie das Menü mit der Menü Taste.

### **Gerät zurücksetzen**

Im Falle eines Software-Fehler finden Sie die kleine Reset Taste (10) auf dem Gerät. Legen Sie eine gestreckte Büroklammer durch das Loch und drücken Sie die Reset Taste. Das Gerät wird zurückgesetzt.

Hinweis: Drücken Sie die Reset-Taste nur, wenn das Gerät abstürzt. Unter normalen Umständen, drücken Sie bitte nicht die Reset Taste.

## TECHNISCHE DATEN

Produkt Abmessungen	3,84" x 2,0" x 1,48" (97,5x52x37,5 mm) (LxBxH)
Gewicht	Ca. 75g
Display Bildschirm Größe	3,0" HD Bildschirm(16:9)
Blickwinkel	155 Grad
Video Auflösung	2560x1440 30P, 16:9 HDR 2560x1440 30P, 16:9 2304x1296 30P, 16:9 1920x1080 60P, 16:9 1920x1080 30P, 16:9 HDR 1920x1080 30P, 16:9 1280x720 60P, 16:9 1280x720 30P, 16:9
Video Format	MOV
Fotoauflösung	4M (2688x1512, 16:9) 8M (3264x2448, 4:3) 14M (4384x3288 4:3) 16M (4608x3456,4:3)
Foto Format	JPEG
G-Sensor	Eingebaut
Speicherkarten Typ	TF/MicroSD
Speicherkartenkapazität Unterstützung	Bis zu 128GB
Mikrofon / Lautsprecher	Eingebaut
Lichtfrequenz	50Hz/60Hz
USB Anschluss	USB 2.0
Externe Stromversorgung	DC 5V 2,4A
Batterie	180mAH interne Li-ion Akku

Arbeitstemperatur	-10 bis 60°C / 14 bis 140°F
Lagertemperatur	-20 bis 70°C / -4 bis 158°F
Computersystem Anforderung	PC: Windows XP und höher MAC: OS X und höher
Sprache	Vereinfachtes Chinesisch Traditionelles Chinesisch Englisch Russisch Japanisch Deutsch

**Hinweis:**

Das Design und die Spezifikationen dieses Produkts können jederzeit ohne vorherige Ankündigung geändert werden. Es könnte einige Unterschiede zwischen dem Produkt und der Beschreibung in dieser Anleitung geben.



# 目録

---

説明 .....	32
製品概要 .....	32
製品の図解 .....	33
取り付け説明 .....	34
ガイド .....	35
操作 .....	36
ビデオモード .....	37
写真を撮るモード .....	38
再生モード .....	38
待機モード .....	38
クイック操作 .....	38
操作一覧 .....	39
通常機能 .....	41
仕様 .....	43

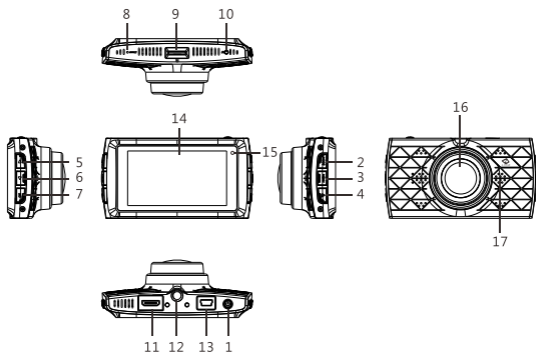
## 説明

この度本製品Z3Plusを買い上げ頂きまして誠にありがとうございます。ご使用前には本書をよくお読みの上、記載されたの内容に従って正しくご使用ください。

## 製品概要

- 真正正銘のWQHDですが、角度が広くて範囲もう広いです (HDR)。155°ビデオ広角視野範囲があります (FOV)。
- すばらしいビデオ解像度-1440Pと1296Pと1080Pがありまして、たとえ暗く環境にも高品質のビデオを記録することができます。そして、写真の解像度が1600万画素です。
- 便利な自動的に録画と監視機能等がありまして：車が点火すると、衝突、動体検出する時本製品が自動録画をオンします。感度が高い内蔵センサーを搭載して、駐車する時も好きな車を守ることができます。そしてループ録画機能があります。
- 以下のスマート特徴が含まれて：LCDの省エネルギー、エンジンが停止後装備が自動的にオフして、一つボタンで緊急録画を入れて緊急ファイルを保護することができます。
- ループ録画機能がありますので、メモ리카ードを循環利用することができます。最大128GBのメモ리카ードを対応することができます。

## 製品の図解

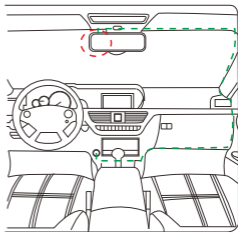


### 成分

1	パワー	10	リセットホール
2	モードスイッチ	11	HDMIポート
3	メニュー	12	カメラマウント
4	Up	13	Mini USBポート
5	Down	14	スクリーン
6	OK	15	LED指示ライト
7	スクリーン	16	レンズ
8	マイク	17	拡声器
9	メモ리카ードスロット		

## 取り付け説明

1. メモリカードをスロット (成分9) の中に挿入してください。
2. フロントガラスに適当な位置を見つけて本製品を置きます。おすすめの場所はリアミラーのしたです。ご注意:
  - a. ビデオ中の充電便利のために、この位置が点火装置に近づくのほうがいいです。
  - b. しっかり防風ガラスに貼って付けために、この位置がきれいのほうがいいです。
  - c. この位置は、運転手に注意力を分散しないように、そして運転手の視界を妨げてはいけません。



3. 吸盤をカメラマウント (成分12) のネジ穴に回って、しっかり連続することをご確認ください。
4. カメラの方向が開始位置を指していることを確認してください。しっかり吸盤をガラスに押しつけてください。
5. USBケーブルを自動車ライターに挿入して、短くケーブルを使ってカメラに連続ください。

**注意:** お客様もイメージのグリーン線に従って、装置してもいいです。カーチャージャーを点火器に入れて、USBケーブルを連続してください。

6. エンジンスタート時、本製品が自動に起動して録画をします。
7. 本製品がエンジンがオフした後、最後に1段のビデオの保存した後に自動的に消すことができます。

**注意:** ある車のモデルは、エンジンをオフした後に、シガーライターが電源をサプライします。不要な自動車のバッテリー損耗を避けるために、車を離れる前にUSBの充電器を抜いてください。

## ガイド

### Powerボタン(1)

手動オン/オフ：長押しして、3秒ぐらい。

LCDスクリーンオン/オフ：Powerボタンを押してLCDスクリーンをオン/オフすることができます。

### モードスイッチボタン(2)

- **モードスイッチ**：待機モードでは(写真を撮らない時とビデオしない時)メニューボタンを押して、(i) ビデオモード、(ii) 写真モード、(iii) 再生モードを切り替えます。

### Menuボタン(3)

- **個人化設定個人化設定-ビデオモード/写真を撮るモード/再生モード**：待機モードでは(写真を撮らない時とビデオしない時)メニューキーを押して現在選択したモードを開きます。UP/Downで選択してOKで確定をします。メニューキーを押して退出します。

### ビデオ保護ボタン(4)

- **緊急ビデオファイル保護**：緊急状態で、ビデオファイルを保護することはとても重要で、ファイルがカバーされていることを防ぐため、衝突検出状態で明らかかな衝突時に本製品が自動的にファイルを保護することができます。もちろん、お客様もメニューキーを押して、いかなるファイルを保護することができます。保護されたファイルは未来がカバーされなくて警告マークが画面上部に出て、ファイルは成功保護され、再びメニューボタン押し保護を解除します。

### Upボタン(5)

- 前の項目にナビゲートします：Upボタンを利用してメニューを閲覧したり再生時には上に縮くことができます。

### Downボタン(6)

- 下の前の項目にナビゲートします：“Down” ボタンを押して次項を選ぶことと次の動画を放送することができます。

- 早送り:再生モードで“Down”ボタンを押してビデオを早送り放送することができます。最大4X対応することができます。

## OKボタン(7)

- 選択/確定:閲覧する時“OK”ボタンで選択と確定することができます。
- ビデオモードオン/オフ:ビデオモードで“OK”ボタンでビデオを開始/停止します。
- 写真を撮る:写真を撮る時“OK”ボタンで写真を撮ります。
- ビデオを再生:再生モードで“OK”ボタンでビデオオン/オフすることができます。

## 指示ライト(8)

ライト	ステータス
レッド/グリーン	待機モード
グリーン点滅	録画中
レッド	充電中

## 操作

### パワー・オン/オフ

- 自動: USBケーブルが連続して、エンジンがスタート時自動的にスタートします。
- 手動: 長押しして、3秒ぐらい。



**注意:**本製品のご使用温度が-10℃から60℃まで/14°Fから140°Fまで、また、メモリーカードのご使用温度が-20℃から70℃まで/-4°Fから158°Fまでです。本製品を極端的な環境に置きしないでください。

### ビデオファイル

ビデオはメモリーカードに保存されて、メモリーカードがいっぱいになったら、一番早く保護されていないファイルがカバーされています。これは大部分のビデオが失われ、またはカバーされていることを防止することができます。ビデオの長短は、設定の中には1分、2分、3分、10分間などを設定することができます。ビデオでは直接に放送して、また他のコンピュータにはコピーして、他のコンピュータでは再生することができます。

## ビデオモード

### 移動検出

動体検知モードでは前のカメラやセンサーが移動を検出できない時ビデオが自動的にオフします。もしささやかな移動が検出されたら設備が自動的にオンしてビデオをします。この特徴が通常設定を通して設定することができます。**ビデオモード>移動検出**

### 録画時間

メモ리카ードのスペースがなくなっている時最初からロックされないファイルがカバーされます。ビデオの長短は、設定の中には、3分、5分、10分間などを設定することができます。**メニュー>録画時間**

### 衝突検出

本製品が敏感度が高い内蔵センサーがあつて触れると自動的に録画を開始して、ビデオファイルを保存します。センサーはオフ、低い、ミディアム、高い等多レベル設定することができます。**メニュー>G-sensor**

### 駐車監視モード

駐車監視モードでエンジンを消すと設備は引き続き監視して車両が振動や動体を検出すると本製品が自動的に起動してそして録画が始まります。振動がないと約30秒後本製品は自動的に、監視モードに戻ります。

駐車監視モードで本製品のが外部のバッチリを支持されて、省ネギのためにLCDスクリーンが自動でじにシャットアウトします。この特徴は通常設定の中に設置することができます。**メニュー>駐車監視モード**

### 緊急ファイル保護

自動で保護されるファイルを含めて、いかなるファイルもメニューボタンを押して保護することができます。警告マークが画面上部に出て、ファイルは成功保護され、再びメニューボタン押し保護を解除します。

## 録音

オーディオを録音すると、設備がマイクを通して現在のビデオのオーディオを収録します。この特徴がオフ/オンを設定することができます。**ビデオ>録音**

## 自動LCDオフ

LCD画面が無操作1分、3分あるいは5分後自動的に消して画面モニタは運転手に障害になったと言う時この効能非常に便利です。この特徴が1分、3分あるいは5分等設定することができます。**メニュー>自動LCDオフ**どちらボタンでも画面を起こすことができます。

## 写真を撮るモード

待機モードでMenuボタンでメニュー設定に入って、も一度UpとDownボタンを押して選択します。4M、8M、14M、16M四つの選択しがあります。OK写真を撮るモードに切り替えて、写真を撮ることができます。

## 再生モード

待機モードでDownボタンを押してモードを切り替えて、UpとDownを押して写真やビデオを選択してOKでスタートとストップことを確認します。

## 待機モード

写真を撮らない時とビデオしない時は待機モードです。待機モードでシステム設定、再生モードを調整することができます。ビデオ中待機モードを入りたい時OKボタンを押して、録画を停止します。

## クイック操作

- 自動で保護されるファイルを含めて、いかなるファイルもメニューボタンを押して保護することができます。警告マークが画面上部に出て、ファイルは成功保護されます。
- 録画モードでは“Down”ボタンを押して録画を開始/停止することができます。
- UpとDownボタンを押すとズームイン/ズームアウトすることができます。
- 再生モードではUpとDownボタンを押すと




## 操作一覧

モード	メインメニュー	サブメニュー	説明
ビデオ	解像度	2560x1440 30P 16:9 HDR2560x1440 30P 16:9 2304x1296 30P 16:9 1920x1080 60P 16:9 1920x1080 30P 16:9 HDR1920x1080 30P 6:9 1280x720 60P 16:9 1280x720 60P 16:9	日付と時間を設定してください。
	録画時間	1分 2分 3分 5分	毎段のビデオ時間を選択してください。
	日付スタンプ	オフ オン	日付表示の確認/キャンセル
	録音	オフ オン	ビデオ中音声を収録します。
	自動LCDオフ	オフ 1分 3分 5分	スクリーン時間を設定してください。
	移動検出	オフ オン	動体検知をオン/オフすること。詳細ことは動体検知を読んでください。
	駐車監視モード	オフ オン	駐車モードを起動しますか。
	重力センサー	オフ 低い ミディアム 高い	内蔵センサーの感度を設定します。
	音量	0 1 2 3 4 5 6 7	露出のレベルを選択してください。

モード	メインメニュー	サブメニュー	説明
ビデオ	言語	英語 簡体中文 繁体中文 ロシア語 日本語	好きな言語を選びください。
	電源周波数	50Hz 60Hz	フリッカーを選択してください。50Hz(PAL)、60Hz(NTSC)
	露出補正	+2.0 +1.7 +1.3 +1.0 +0.7 +0.3 +0.0 -0.3 -0.7 -1.0 -1.3 -1.7 -2.0	露出のレベルを選択してください。
	時間設定	YY/MM/DD/HH/MM	時間/日付を設定してください。
	フォーマット	はい いいえ	メモリーカードをフォーマットしますか。
	初期設定に戻す	はい いいえ	元設定を戻りますか。
	バージョン		バージョン情報をてんじします。
	写真		12M 4032x3024 10M 3648x2736 8M 3264x2448 5M 2592x1944 3M 2048x1536 2MHD 1920x1080 1.2M 1280x960
再生		削除 一つを削除するすべてを削除	この度ファイルを削除しますか。

## 通常機能

### コンピューターに接続

本製品がパソコンに接続する時、その画面にはUSBが接続中と表示されてます。このようなマーク  が展示されます。

- それからコンピュータには貯蔵カードが出現します。その後はコンピュータでファイルの観覧、複製、削除などの操作をできます。Windows XP共にその後のシステムとMAC osx共にその後のシステム対応します。

### 記録されたビデオファイル

保護されたファイルと保護されないファイルが別にします。

- EVENT:保護されたビデオ。
- DCIM:保護されないビデオと写真ファイル。

記録されたファイルが以下のルールで保存されます。

毎日のファイル:YY\_MM\_DD\_000

ビデオ:HH\_MM\_SS\_AA

写真:HH\_MM\_SS\_OO

### TFカードについて

1. 高い解像度を使用すると大きなメモ리카ードが必要なです。同じ容量のメモ리카ードは普通解像度で保存されたビデオ時間が長いです。
2. もし長い時間のビデオを保存したい 時もっと大きなメモ리카ードが必要です。本製品が最大128GBのメモ리카ードを対応することができます。

#### 注意:

- 新しいメモ리카ードを購入する時Class10レベルのをおすすめ。初めてメモ리카ードを使用する時にはフォーマットしてください。**メニュー>フォーマット**
- メモ리카ードをフォーマットする時まずはメモ리카ードを本製品に差し込み、**メニュー>フォーマット**。重要なファイル保存しないように、ご注意ください。
- 本製品がexFatとFAT32のメモ리카ードを支持することができます。
- 初めてメモ리카ードを使用する時にはフォーマットしてください。**メニュー>フォーマット**

以下の録画時間は参考にしてください。メモ리카ード図解

カード容量	録画時間(前後カメラ1440P)
128GB	600分間
64GB	400分間
32GB	200分間
16GB	100分間
8GB	50分間
本表の数字がただ参考にしてください。	

## 言語設定

1. 言語を変更する時には、待機モードでMenuボタンを押して通常設定メニューに入ります。UPとDownでメニューを選び、OKを押して確認します。
2. UPとDownで言語を選び、選択してから、OKを押して確認します。
3. Menuボタンを押してこの設定を退出します。

## 時間設置

1. 時間を変更する時には、待機モードでMenuボタンを押してください。
2. 時間設定を選択してOKを押してください。
3. UPとDownで時間を調節します。OKボタンを押して保存します。  
(YYYY/MM/DD, HH:MM:)
4. この時間設定を保存したい場合にはOKボタンを押して、上記の変更を保存します。(Menuボタンを押すとこの変更を保存されません。)

## リセット

本製品をリセットする際には、リセット穴をおして製品がリセットすることができません。

**注意:**クラッシュがあった場合がリセット穴を使用して、正常な場合リセットしないでください。

## 仕様

本製品の寸法	3.84インチ*2.0インチ*1.48インチ 97.5mm*52mm*37.5mm(L*W*H)
重量	約75g
スクリーンの寸法	3.0HDスクリーン(16:9)
レンズ	150°
ビデオの解像度	2560x1440 30P 16:9 HDR2560x1440 30P 16:9 2304x1296 30P 16:9 1920x1080 60P 16:9 1920x1080 30P 16:9 HDR1920x1080 30P 16:9 1280x720 60P 16:9 1280x720 60P 16:9
ビデオフォーマット	MOV
写真解像度	4M(2688x1512 16:9) 8M(3264x2448 4:3) 14M(4384x3288 4:3) 16M(4608x3456 4:3)
重力センサー	内蔵
電源周波数	50Hz/60Hz
USBポート	USB2.0
外部電源支持	DC5V 2.4A
バッテリー	180mAh
操作温度	-10℃から60℃まで/14°Fから140°Fまでです
メモ리카ードの使用温度	-20℃から70℃まで/-4°Fから158°Fまでです
コンピュータシステム	PC: windows XP共にその後のシステム MAC: OSX共にその後のシステム
言語支持	英語 簡体中文 繁体中文 ロシア語 日本語

**注意:**本製品のデザインと説明がいつでも変動するかもしれませんが。この取扱説明書の説明と本製品の操作が小さな違いがあってもかもしれません実操作に従ってください。







Z-EDGE

[www.zeroedgetechnology.com](http://www.zeroedgetechnology.com)  
email: [support@zeroedgetechnology.com](mailto:support@zeroedgetechnology.com)

Z3PlusZ17UM-01